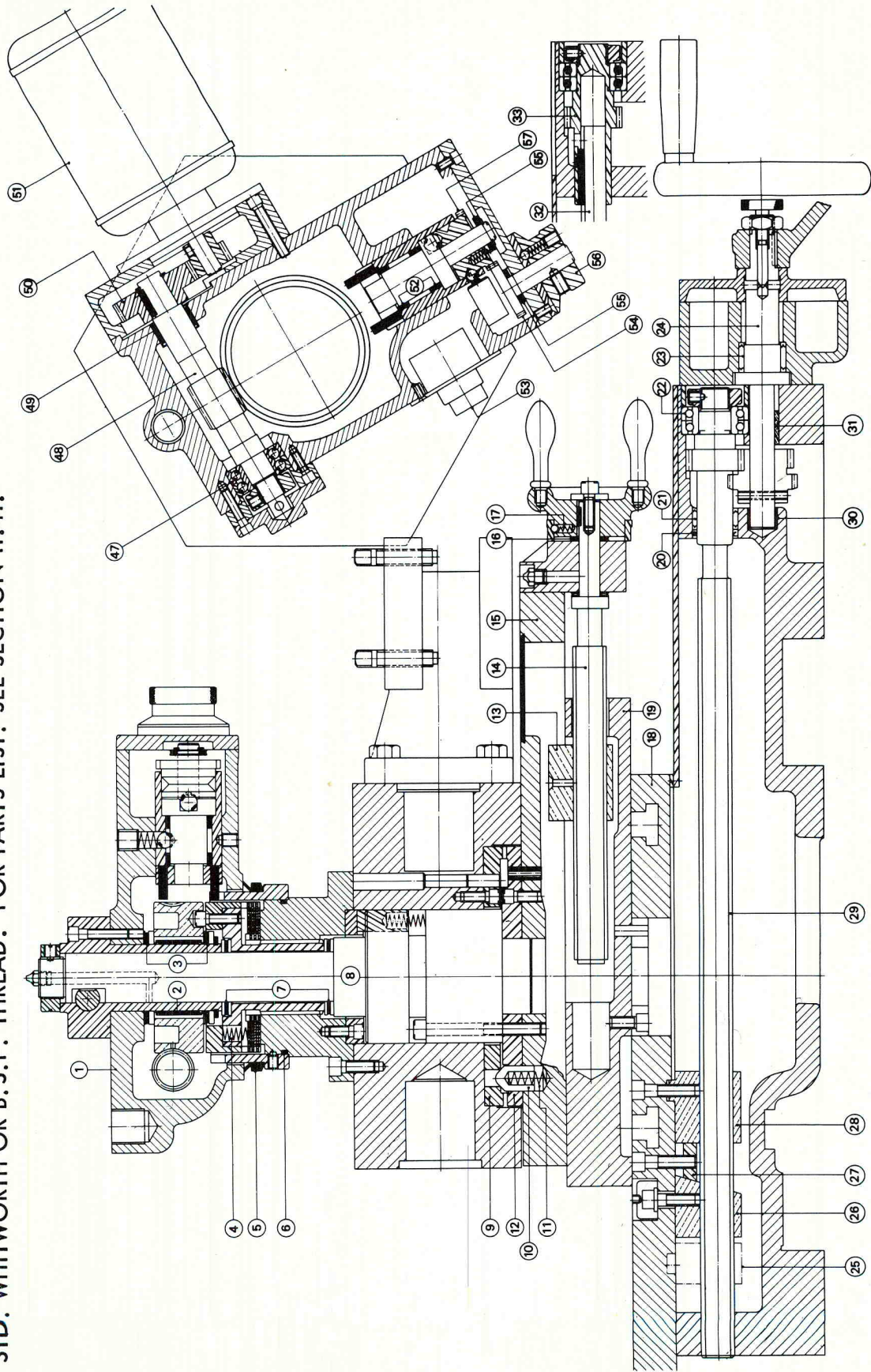


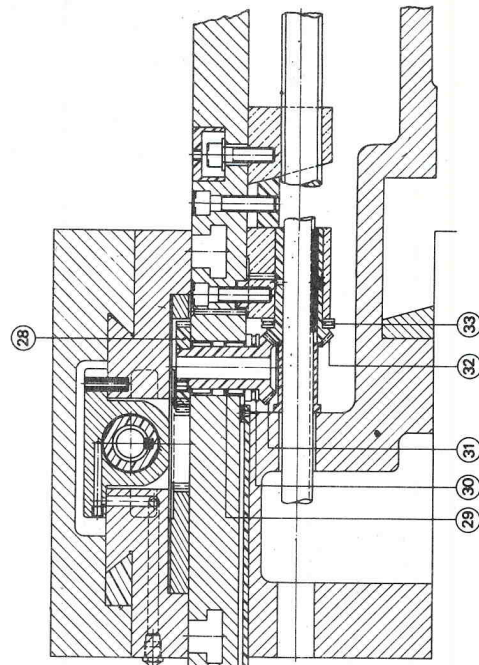
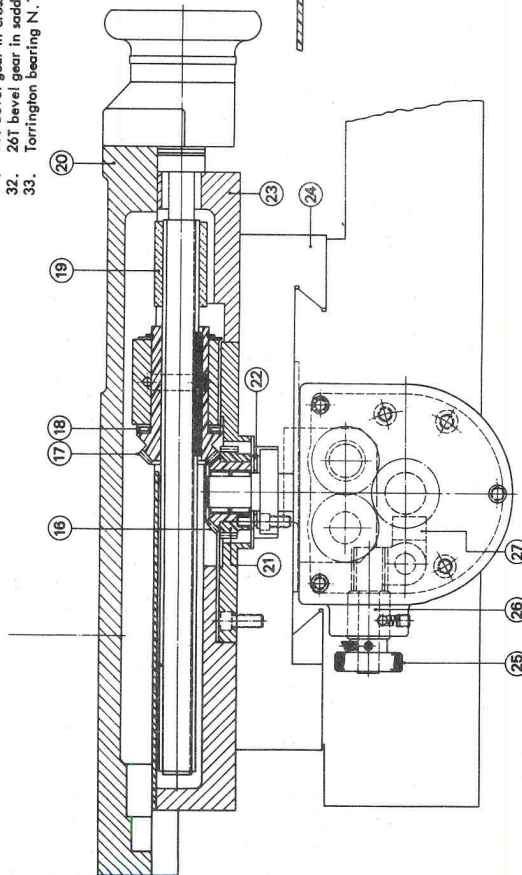
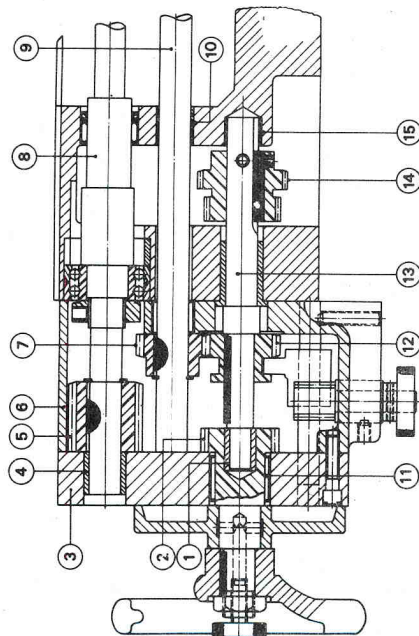
11.4 SPARE PARTS LIST FOR SADDLE ELECTRIC TURRET WITH BOLT-ON FACES

PLEASE STATE MACHINE SERIAL NUMBER, SHEET AND ITEM NUMBERS. ALL FIXING SCREWS ARE STD. WHITWORTH OR B.S.F. THREAD. FOR PARTS LIST. SEE SECTION II.41.



For details of std. hexagon turret with bolt-on faces see section 11.4 Sheet No. 2278.
 For details of electric hexagon turret with bolt-on faces see section 11.4 Sheet No. 2308.
 For other details of saddle see section 11.41 Sheet No. 2279:

1. Compo bush S.N. 028 x 1" long.
2. Handwheel pinion shaft
3. Cover for handwheel gearbox
4. Compo bush S.N. 009 x 1" long
5. Saddle screw pinion
6. Power-operated handwheel gearbox
7. Bevel shaft pinion
8. Saddle screw when power-operated
9. Bevel drive shaft.
10. Compo bush S.N. 071 x 7/8" long
11. Torrington bearing F. 3026
12. Sliding gear in handwheel gearbox
13. Intermediate shaft.
14. Double gear on inter. shaft
15. Glacier DU.08 bush
16. Short bevel gear
17. 30T bevel gear in swivel slide
18. Torrington bearing N.T.A. 2233 and 2 Races J.D. 24295
19. Top slide nut
20. Power-operated top slide
21. 32T spur gear on 35T bevel
22. Torrington bearing H.T.C. 1427 and 2 Races 1905-025
23. Power-operated swivel slide
24. Power-operated cross slide
25. Knob for shifter pinion
26. Shifter pinion
27. Gear shifter
28. 32T spur gear on 26T bevel gear
29. Torrington bearing B. 168
30. Torrington bearing N.T.A. 1625, Race T.R.B. 1625 and Race T.R.E. 1625
31. 26T bevel gear in cross slide
32. 26T bevel gear in saddle
33. Torrington bearing N.T.A. 1828 and 2 Races 2104/019



PLEASE STATE MACHINE SERIAL NUMBER, SHEET AND ITEM NUMBER. ALL FIXING SCREWS ARE
 STD. WHITWORTH OR B.S.F. THREAD.

11.41 SPARE PARTS LIST FOR SADDLE continued

POWER-OPERATED HEX. TURRET

11.41 SPARE PARTS LIST FOR SADDLE continued

ELECTRIC TURRET WITH BOLT-ON FACES

1.	Turret indexing box	
2.	Ina. bearing N. K. 5035	
3.	Ina. thrust bearing A. X. K. 5070, Race A. S. 5070 and Race G. S. 5070	
4.	Spring stock No. 20	
5.	'O' ring seal V. 130	
6.	'O' ring 4, 5/8" O. Dia. - Dowty 200, 245, 4475	
7.	Torrington thrust bearing N. T. A. 2435, Race T. R. C. 2435	
8.	Turret spindle	
9.	Top locating ring	
10.	Auxiliary plunger	
11.	Spring	
12.	Bottom locating ring	
13.	Top slide nut	
14.	Top slide screw	
15.	Top slide	
16.	Torrington bearing N. T. A. 1018, Races T. R. A. 1018	
17.	Spring	
18.	Cross slide	
19.	Swivel slide	
20.	Ina. oilseal G. 28, 35, 4	
21.	Torrington bearing F. 2816	
22.	R. & M. bearing L. D. J. T. 25	
23.	Torrington bearing F. 28, 20	
24.	Cross slide handwheel shaft	
25.	Cross slide screw nut when taper turning	
26.	Cross slide adjusting nut	
27.	Cross slide nut adjusting slip	
28.	Cross slide nut	
29.	Cross slide screw	
30.	Glacier bush D. U. 08	
31.	Bush	
32.	Cross slide screw when taper turning	
33.	Pinion shaft when taper turning	
34.	Rear bed wiper	
35.	Front L. H. bed wiper	
36.	Front R. H. bed wiper	
37.	Cross slide slips	
38.	Locking pad	
39.	Rear gib plate	
40.	R. H. saddle slip	
41.	R. H. front gib plate	
42.	L. H. saddle slip	
43.	L. H. front gib plate	
44.	Oil filter in saddle	
45.	Saddle lock handle	
46.	Operating lever for centre stop	
47.	R. & M. bearing L. D. J. R. 20	
48.	Wormshaft	
49.	Torrington bearing F. 2516	
50.	30T gear on wormshaft	
51.	Brook gryphon B. S. 42 flange mounted motor. Frame size T. 42	
52.	Torrington bearing B. 186	
53.	B. H. I. flush push button unit	
54.	Operating pinion	
55.	Torrington thrust bearing N. T. A. 1018 and thrust races T. R. A. 1018	
56.	Selector dial	
57.	Gear for operating switch.	

PLEASE STATE MACHINE SERIAL NUMBER, SHEET AND ITEM NUMBER. ALL FIXING SCREWS ARE
STD. WHITWORTH OR B. S. F. THREAD.